



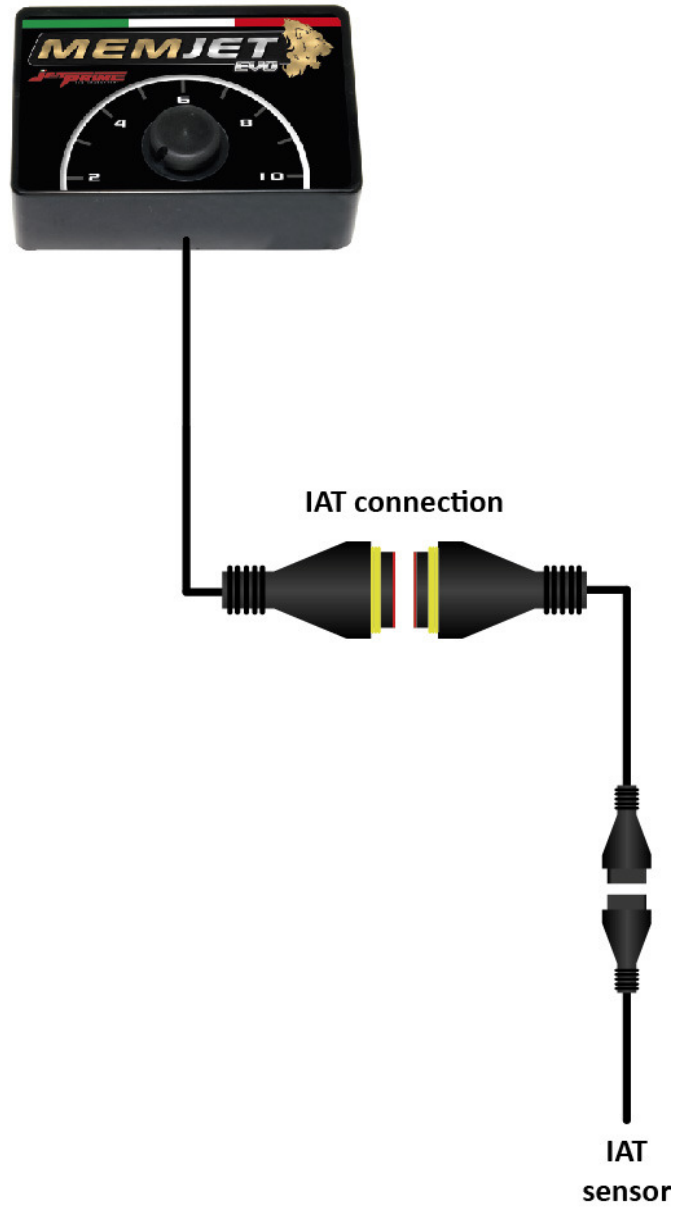
Installation manual
Memjet Evo power module



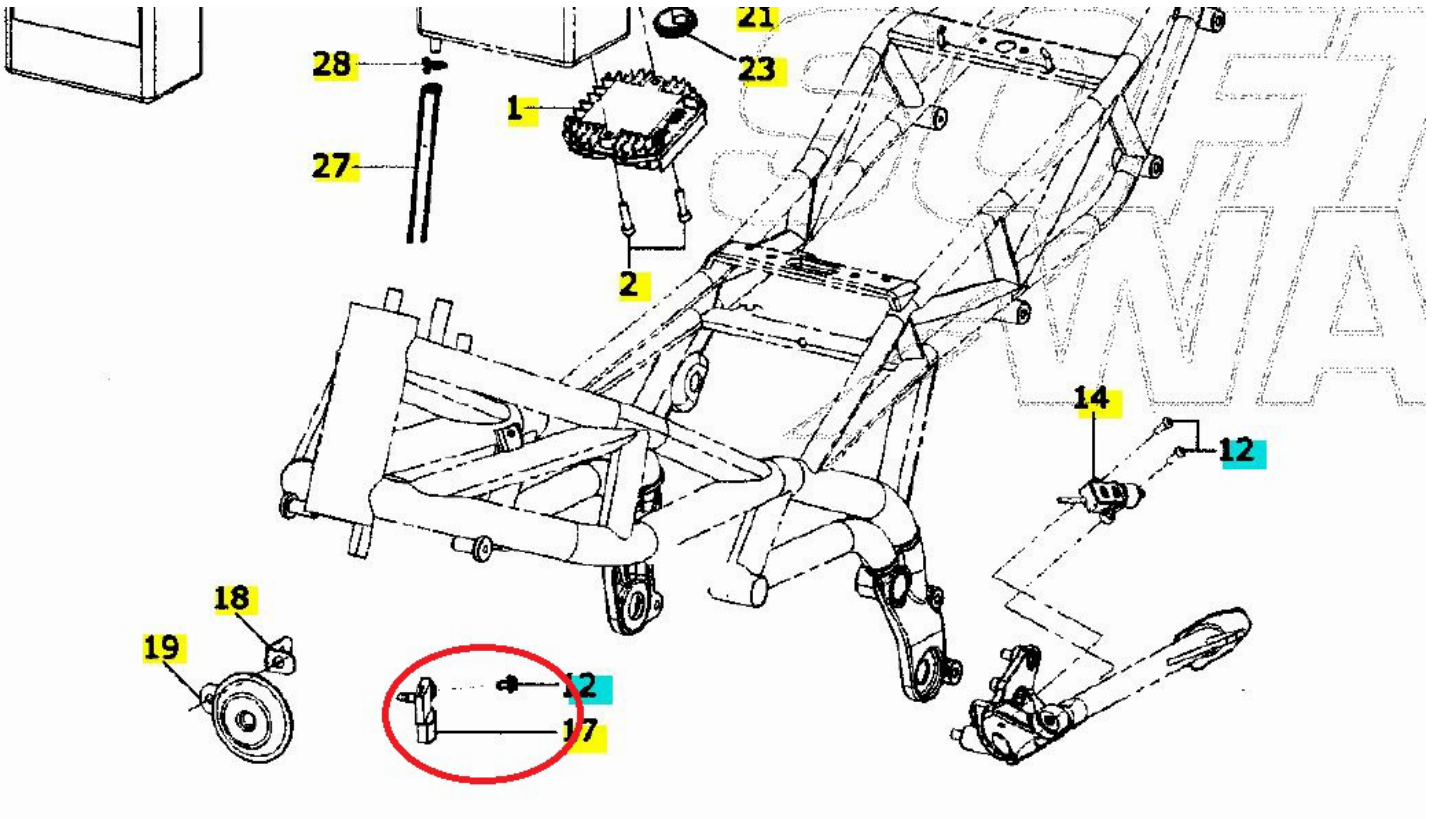
91/2



ECU installation diagram



Detail of picture A



1 - The manufacturer, importer or dealer shall not be liable for any incidental damage including personal injury or any other

damage caused by improper installation or operation of the JETPRIME product.

2 - JETPRIME makes no representation or warranties with regard to damage caused by the improper installation, use and

maintenance of his product . The warranty is limited to defects recognized by our technical department and

to normal use. The guarantee is void in case of accident,modification, improper or race use.

3 - Do not attempt to install the product JETPRIME on a motorcycle for which it was not made or tested by JETPRIME.

4 -The technical specifications of JETPRIME products and related products ar subject to change without any notice.

This product is designed and made in Italy by:



Jetprime S.r.l. società a socio unico

Head Office: Via Eugenio Montale, 1 – 41016 Novi di Modena – Fraz. Rovereto (MO)

Tel: +39 059 672223 – Fax: +39 059 7131226

Email: info@jetprime.it - Web: www.jetprime.it

All Jetprime S.r.l. products are dedicated exclusively for sports use.