



**Installation manual**  
**Memjet Evo power module**



## ECU installation diagram

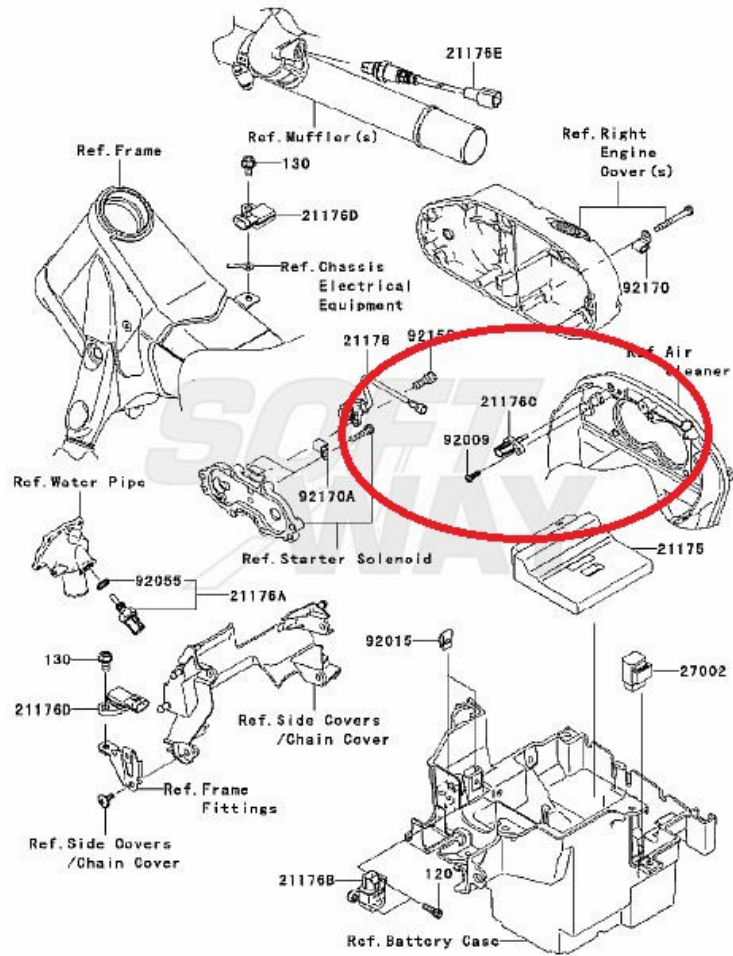


# Detail of picture A

E1530



CENTRALINA INIEZIONE



**1 - The manufacturer, importer or dealer shall not be liable for any incidental damage including personal injury or any other**

**damage caused by improper installation or operation of the JETPRIME product.**

**2 - JETPRIME makes no representation or warranties with regard to damage caused by the improper installation, use and**

**maintenance of his product . The warranty is limited to defects recognized by our technical department and**

**to normal use. The guarantee is void in case of accident,modification, improper or race use.**

**3 - Do not attempt to install the product JETPRIME on a motorcycle for which it was not made or tested by JETPRIME.**

**4 -The technical specifications of JETPRIME products and related products ar subject to change without any notice.**

This product is designed and made in Italy by:



Jetprime S.r.l. società a socio unico

Head Office: Via Eugenio Montale, 1 – 41016 Novi di Modena – Fraz. Rovereto (MO)

Tel: +39 059 672223 – Fax: +39 059 7131226

Email: [info@jetprime.it](mailto:info@jetprime.it) - Web: [www.jetprime.it](http://www.jetprime.it)

All Jetprime S.r.l. products are dedicated exclusively for sports use.