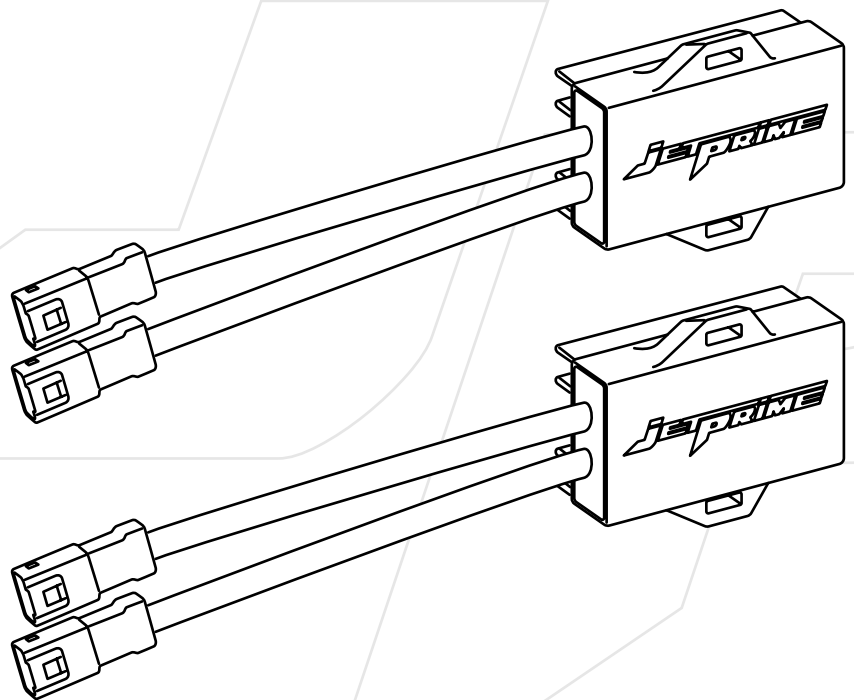


# ***ELECTRONIC SUSPENSION ELIMINATORS***



Ref. **JP ESR 012**  
**JP ESR 013**



## OVERVIEW

---

The JETPRIME electronic suspension eliminators allows replacing the factory-equipped electronic suspension with classic suspension, eliminating the error lights on the dashboard.

These products are plug-and-play, no modification is required on the bike.

A specific eliminator is required for every suspension:

- **JP ESR 013** - front fork (only one eliminator is needed)
- **JP ESR 012** - rear shock absorber

Each eliminator can be installed individually, depending on which suspension is going to be replaced.

## INSTALLATION

---

### **NOTE**

Before installing the JETPRIME electronic suspension eliminators, it is essential to **disable dynamic suspension management** on the bike and set it to a **fixed value**, in every riding mode.

Refer to the manufacturer's user manual for instructions on how to properly configure the electronic suspension settings.

Failure to do so may cause excessive stress on the eliminators, potentially resulting in damage or malfunction.

1. set "Fixed Suspension" in every applicable setting, (depending on which suspension is going to be replaced, front, rear, steering damper) in every riding mode
2. set the same value in every fixed suspension setting (e.g. Front Compression 1, Front rebound 1...)
3. turn off ignition and wait for the complete power-off (it takes about 1-2 minutes)
4. disconnect the electronic suspensions
5. connect the JETPRIME electronic suspension eliminators
6. turn on ignition and check for errors

### **NOTE**

Secure the eliminators on the bike with cable ties.

JP ESR 012 and JP ESR 013 should be mounted in a location exposed to airflow, and away from heat sources.

Once the eliminators are installed, **DO NOT ADJUST** the suspension settings.



**JETPRIME S.R.L.**

Via Eugenio Montale, 1  
41016 Novi di Modena - Rovereto sulla Secchia (MO)  
Phone: +39 059 672223 - Email: [info@jetprime.it](mailto:info@jetprime.it)

**[www.jetprimeshop.it](http://www.jetprimeshop.it)**

All JETPRIME products are designed for racing use only and should be installed by an expert.

The manufacturer, importer, or dealer shall not be liable for any damage caused by improper installation or operation of the JETPRIME product.

The warranty is limited to defects recognized by our technical department and to normal use. The warranty is void in case of accident, modification, improper or racing use.

Do not install the product on a motorcycle for which it was not designed or tested by JETPRIME.

The technical specifications of JETPRIME products and related products are subject to change without notice.